

Explosion Proof Solenoid 37 mm Coil with Metallic Insert



Customer Value Proposition:

496700 and **496800** coil ranges are the extension of the successful 37 mm coil series 495900/495905 496555/496560

Coils for zone 1,21 according to the European directive ATEX 94/9/C.

496800 – 8W

II 2 G - Ex d mb IIC T4
II 2 D - Ex tD A21 IP67 - T 130°C

496700- 6W

II 2 G - Ex d mb IIC T4/T5/T6
II 2 D - Ex tD A21 IP67
T 130°C / 95°C / 80°C

Light and compact design.

Corrosion resistance: all metallic parts made of stainless steel, rest of the coil made with robust technical plastics.

Modularity: each coil can be assembled or disassembled from its valve very easily which helps maintenance and inventory reduction for end users and distributors.

Robust stainless steel insert for the electrical connection (M20x1.5 or 1/2"NPT) compatible with ATEX metallic cable glands and which permits a direct grounding of the armoured cable.



Contact Information: Product family:

Parker Lucifer SA
Fluid Control Division Europe
Ch. Fbg de Cruseilles, 16
1227 Carouge / Genève
Switzerland
Tel.: +41 22 30 77 111
Fax: +41 22 30 77 110
www.parker.com/fcde

37 mm coil range compatible with any valve equipped with a 9000 operator.

Applications:

Control of solenoid valves intended for installations in hazardous areas zone 1,21 or 2,22

- Chemical
- Petrochemical
- Refinery
- Process industry
- Oil & Gas industry



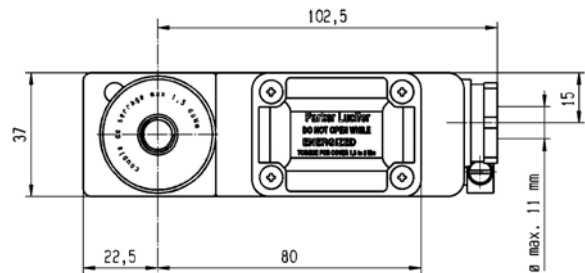
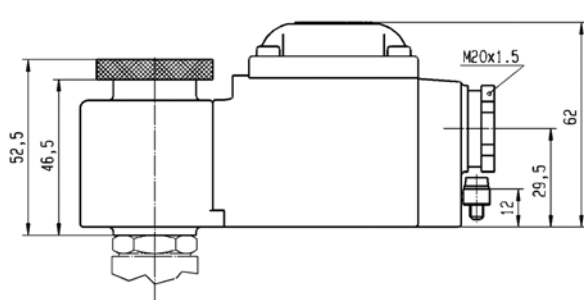
ENGINEERING YOUR SUCCESS.

Product Codification and Specification

Protection Mode	Details approval								Power	Housing	Material of metal parts	Fixing nut	Electrical connection	Thread	Electrical part reference	C2	C4	C5	P0	P2	P9	
	ATEX IECEx	Gaz	Dust	Temp Class	Ambient T min (°C)	Ambient T max (°C)	Surf. T (°C)	Prot. Index IP														
Zone 1 / 21	ATEX IECEx	Ex d mb IIC	Ex tD A21	T4					6W	Plastic	All Stainless steel	Stainless steel	Metal insert	M20x1.5	496700	C2	C4	-	-	-	P9	
				T5	-40	+65	+130	+95						+80	1/2 NPT							496700.02
				T6																		
				T4	-40	+65	+130								1/2"NPT							496800.02
								8W	Plastic	All Stainless steel	Stainless steel	Metal insert	M20x1.5	496800	C2	C4	-	-	-	P9		
													1/2"NPT	496800.02								

Valve - Coil Compatibility Chart

Body Material	Type	Number of ways	NO / NC Univ.	Port Type & Size		Orifice Ø (mm)	Flow Qn [l/min]	P min [bar]	P max [bar]	Fluid Temp. (°C)		Ambient Temp. (°C)		Material seat	MR: manual reset MO: manual override	Valve reference	496700	496800	
				Tmin	Tmax					Tmin	Tmax								
Aluminium		3	NC	NAMUR	G1/4"	6	680	0	10	-25	-25	-25	-25	NBR	-	131X1101	●	●	
		3	NC	NAMUR	NPT 1/4"	6	680	0	10	-25	-25	-25	-25	NBR	-	U131X1101	●	●	
		3	NC	BSP	1/4"	6	680	0	10	-25	-25	-25	-25	NBR	-	133X01	●	●	
		3	U	NPT	1/4"	6	680	0	10	-25	-25	-25	-25	NBR	-	U133X01	●	●	
Brass		3	U	NPT	1/4"	6	680	0	10	-25	-25	-25	-25	NBR	MR	U033X0111	●	●	
		3	U	NPT	1/4"	6	680	0	10	-25	-25	-25	-25	NBR	-	U133X0111	●	●	
Stainless steel (316L)	X	3	U	NPT	1/4"	6	680	0	10	-25	-25	-25	-25	NBR	MR	U033X5156	●	●	
		3	U	NPT	3/8"	6	680	0	10	-25	-25	-25	-25	NBR	MR	U033X5256	●	●	
		3	U	NPT	1/4"	6	560	0	10	-25	-25	-25	-25	FKM	MR	U033X5195	●	●	
		3	NC	NAMUR	NPT 3/8"	6	680	0	10	-25	-25	-25	-25	NBR	-	U131X1201	●	●	
		3	U	NPT	1/4"	6	680	0	10	-25	-25	-25	-25	NBR	-	U133X5196	●	●	
		3	U	NPT	1/4"	6	680	0	10	-25	-25	-25	-25	NBR	MO	U133X5156	●	●	
		3	U	NPT	3/8"	6	680	0	10	-25	-25	-25	-25	NBR	-	U133X5296	●	●	
		3	U	NPT	1/4"	6	680	0	10	-25	-25	-25	-25	FKM	-	U133X5195	●	●	
		2	NC	NPT	1/4"	1	40	0	98	-40	-40	-40	-40	PUR	-	U121V5595	●	●	
		3	U	NPT	1/4"	2/2	140	0	12	-25	-25	-25	-25	FKM	-	U133V5595	●	●	
	F	3	NC	Flange	w/o	2.5/2.5	220	0	12	-25					FKM	-	U131F5695	●	●
																	U131F5295	●	●
																	U341N3295	●	●
																	U341P3295	●	●
																	U347P3295	●	●
N	5	NC	NAMUR	NPT 3/8" 1/4"	8	1400	2	10	-25					NBR	-	U341N3295	●	●	
																U341P3295	●	●	
P	5	NC	NPT	3/8" 1/4"	8	1400	2	10	-25					NBR	-	U341P3295	●	●	
																U347P3295	●	●	



Ed. 2010-07-14

© 2010 Parker Hannifin Corporation. All rights reserved.

Product Bulletin 1132/JK - 07/2010

Parker Lucifer SA
 Fluid Control Division Europe
 Ch. Fbg de Cruseilles, 16
 1227 Carouge / Genève
 Switzerland
 Tel.: +41 22 30 77 111
 Fax: +41 22 30 77 110
 www.parker.com/fcde

